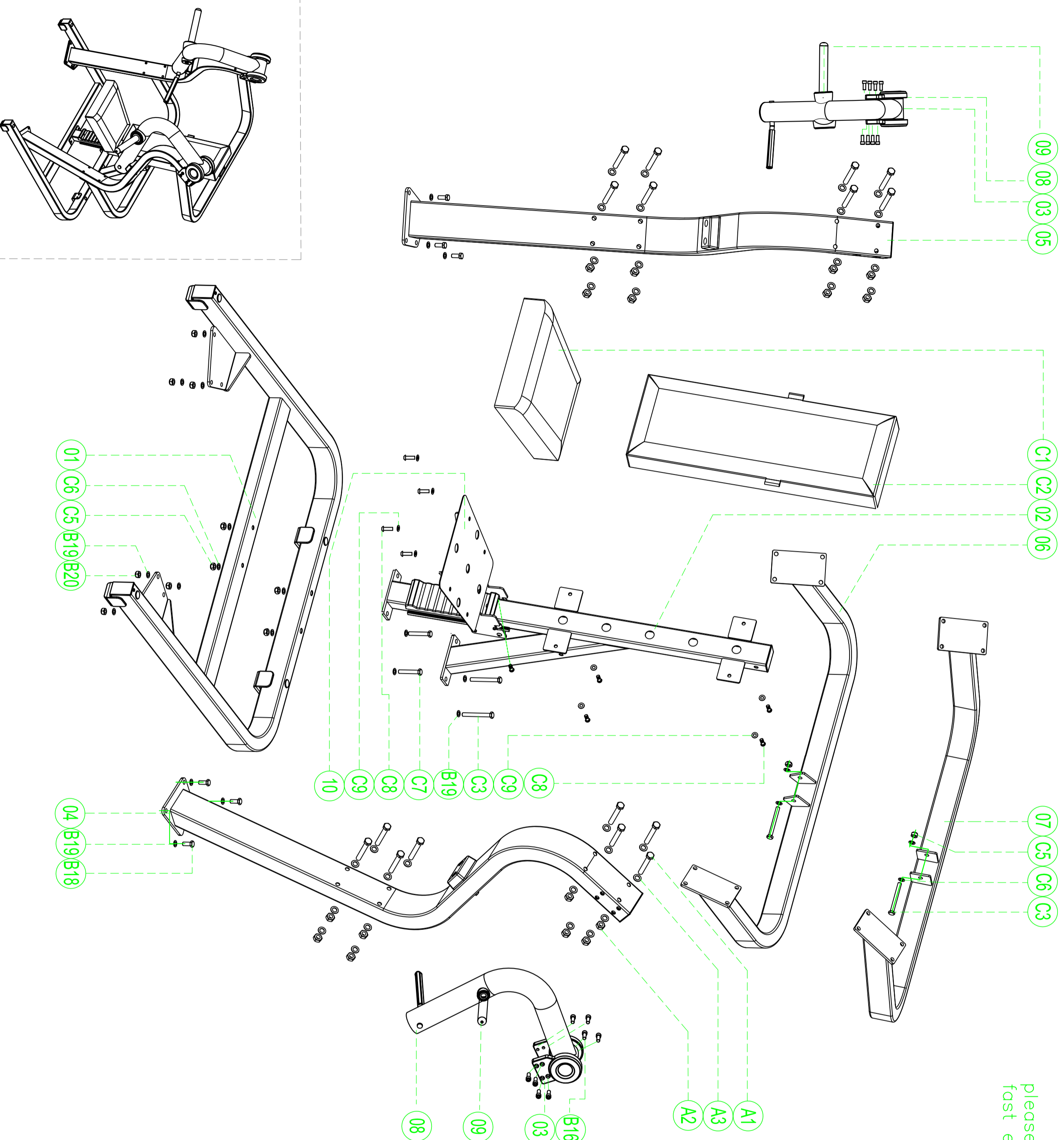


# DHZ-905 Chest Press

please note: parts didnt demitioned part and fast eners not listed on the introduction



01	CHASSIS GROUP	1
02	BACK CUSHION SUPPORT GROUP	1
03	MOVABLE ARM GROUP	2
04	LEFT MAIN FRAME ELBOW	1
05	RIGHT MAIN FRAME ELBOW	1
06	INTERMEDIATE REINFORCING GROUP	1
07	UPPER CONNECTING GROUP	1
08	BEARING PILLOW	4
09	BARREL BAR GROUP	2
10	CUSHION SUPPORT GROUP	1
C1	CUSHION	1
C2	BACK CUSHION	1
B16	HEXAGON SOCKET HEAD CAP SCREWS M12*30	16
B18	HEX SCREWS M12*30	6
C7	HEX SCREWS M12*75	2
A1	HEX SCREWS M12*85	16
A3/B19/C6	FLAT GASKET φ12	56
A2/B20/C5	SELF-LOCKING NUT M12	28
C3	HEX SCREWS M12*110	4
C8	HALF ROUND HEAD HEX SOCKET SCREWS M8*30	8
C9	FLAT GASKET φ8	8
序号	名称	数量