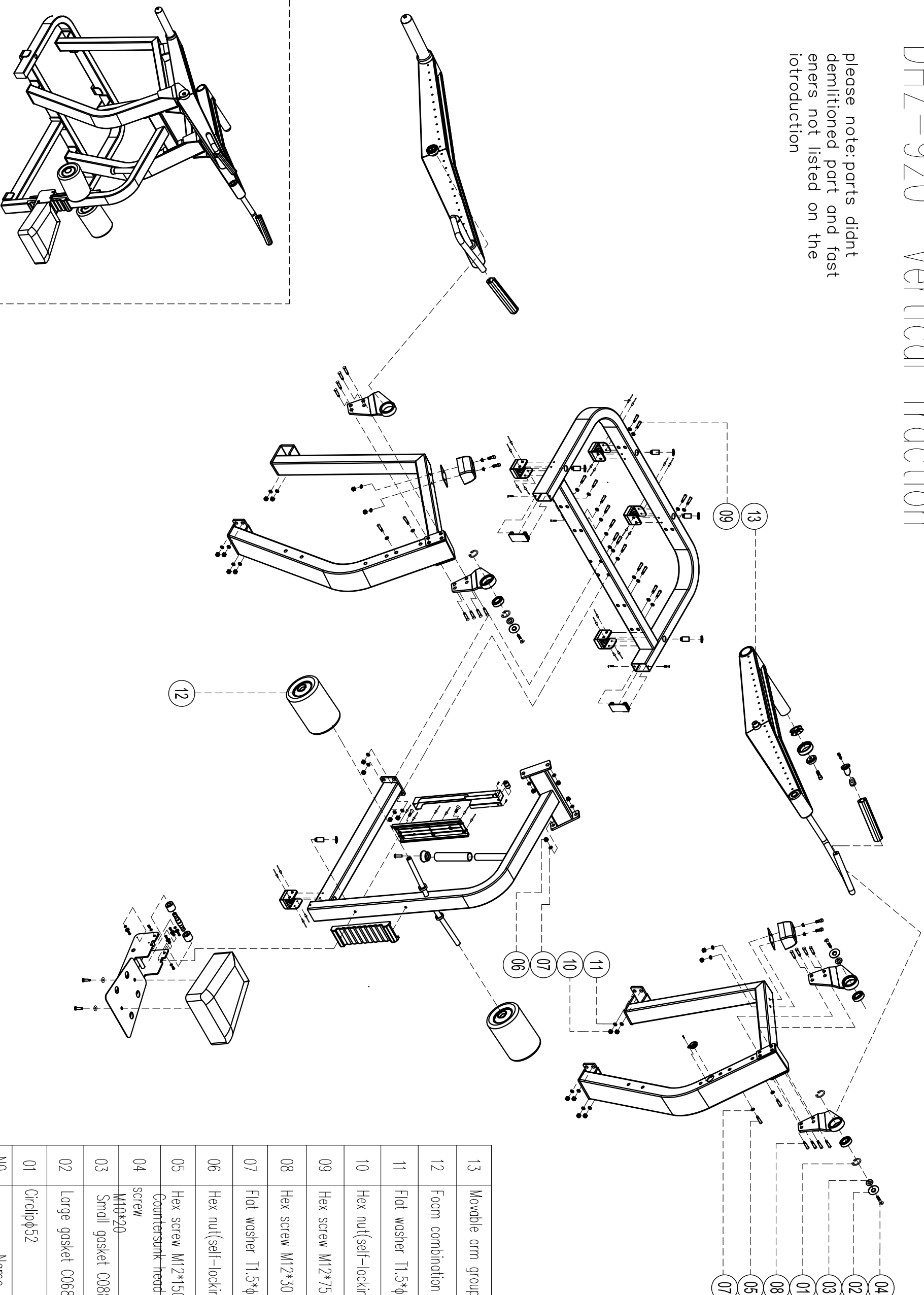


DHZ-920 Vertical Traction

please note: parts didnt demitioned part and fasteners not listed on the introduction



13	Movable arm group	2
12	Foam combination	2
11	Flat washer T1.5*φ12*φ20	32
10	Hex nut(self-locking) M12	16
09	Hex screw M12*75	16
08	Hex screw M12*30	16
07	Flat washer T1.5*φ12*φ20	8
06	Hex nut(self-locking) M12	4
05	Hex screw M12*150	4
04	Countersunk-head inner-hex screw M10*20	4
03	Small gasket C088φ33*T12.5	4
02	Large gasket C068φ50*T12.5	4
01	Circlipφ52	4
N0.	Name	Quantity