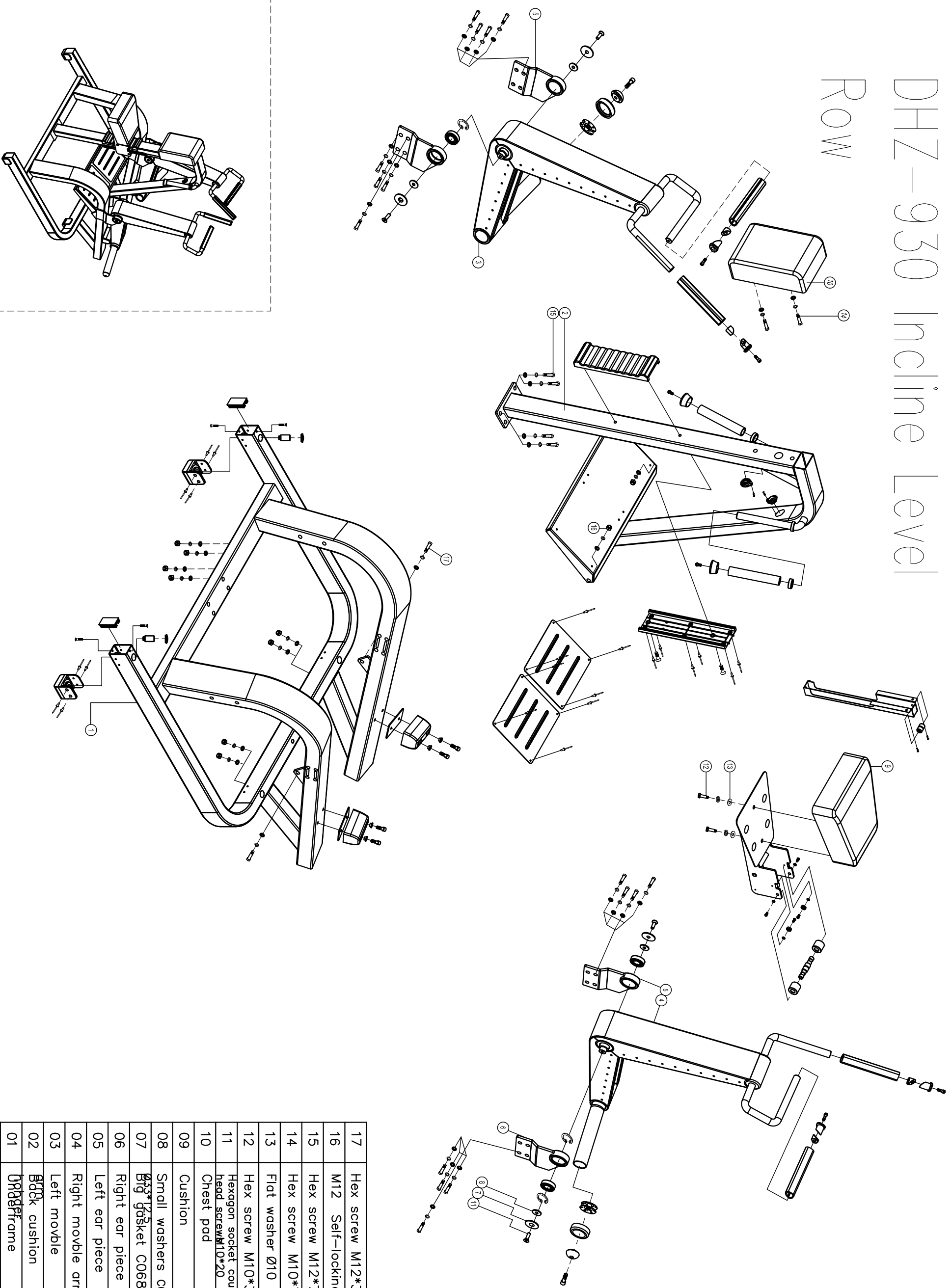


DHZ-930 Incline Level

ROW



serial number	Name	quantity
17	Hex screw M12*30	18
16	M12 Self-locking nut	8
15	Hex screw M12*75	6
14	Hex screw M10*75	2
13	Flat washer Ø10	4
12	Hex screw M10*30	2
11	Hexagon socket countersunk head screw M10*20	4
10	Chest pad	1
09	Cushion	1
08	Small washers C088	4
07	Big gasket C068Ø50*12.54	4
06	Right ear piece	2
05	Left ear piece	2
04	Right movable arm	1
03	Left movable	1
02	Back cushion	1
01	Chair frame	1