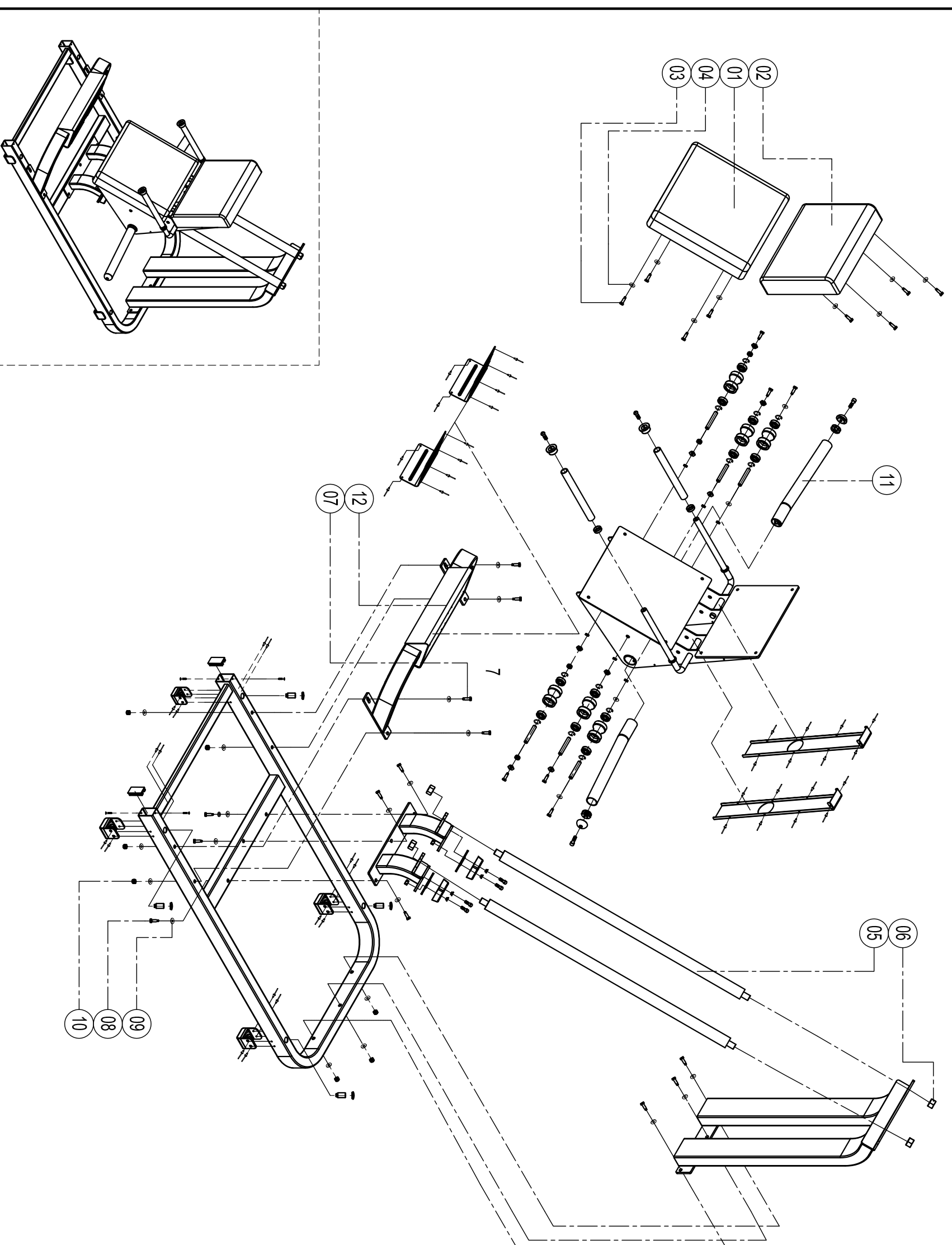


# DHZ-945 Call

please note: parts didnt demitioned part and fasteners not listed on the introduction



12	Pedal group	1
11	Bardell stem combination	2
10	Hex nut(self-locking)M12	10
09	Flat washer T1.5*φ12*φ20	20
08	Hex screw M12*75	6
07	Hex screw M12*105	4
06	Hex nut M24	4
05	Shaft φ50*1314	2
04	Flat washer φ10	12
03	Hex screw M10*30	8
02	Back cushion	1
01	Seat cushion	1
NO.	Name	Quantity