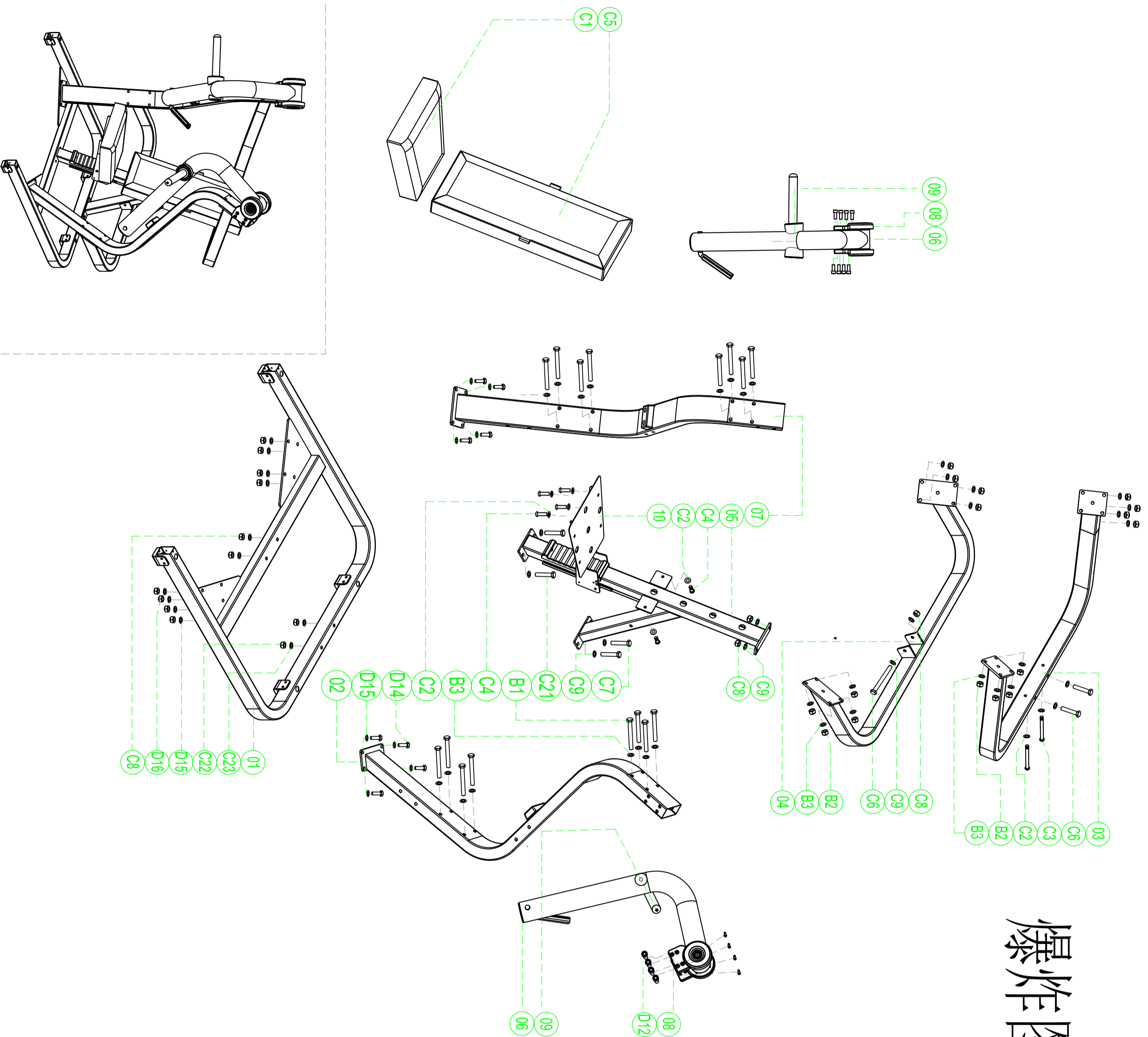


爆炸图

Y-910 WIDE CHEST PRESS

please note: parts didnt demitioned part and fast eners not listed on the introduction



01	CHASSIS GROUP	1
02	LEFT MAIN FRAME ELBOW	1
03	UPPER CONNECTING GROUP	1
04	INTERMEDIATE REINFORCING GROUP	1
05	BACK CUSHION SUPPORT GROUP	1
06	MOVABLE ARM GROUP	2
07	RIGHT MAIN FRAME ELBOW	1
08	BEARING PILLOW	4
09	BARREL BAR GROUP	2
10	CUSHION SUPPORT GROUP	1
C5	BACK CUSHION	1
C1	CUSHION	1
B2/D16/C8/C22	SELF-LOCKING NUT M12	30
C2	FLAT GASKET Φ8	8
B3/C9/C23/D15	FLAT GASKET Φ12	62
C4	HALF ROUND HEAD HEX SOCKET	6
C3	SCREWS M8*30 HALF ROUND HEAD HEX SOCKET SCREWS M8*75	2
D14	HEX SCREWS M12*30	8
D12	HEXAGON SOCKET HEAD CAP SCREWS M12*30	16
C21	HEX SCREWS M12*75	2
B1	HEX SCREWS M12*85	16
C6	HEX SCREWS M12*110	5
序号	物料名称	数量