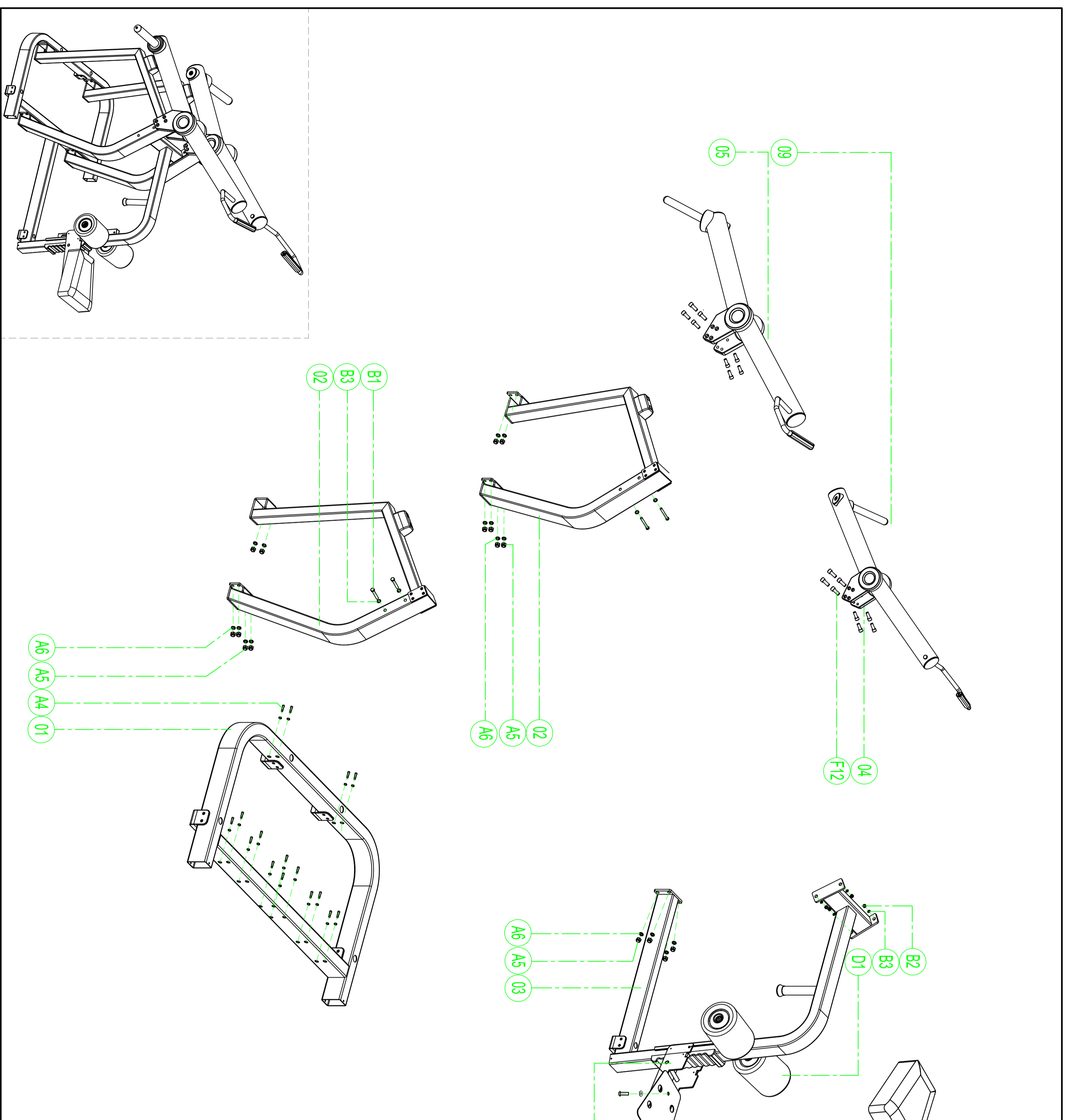


Y920 PULL DOWN

please note:parts didnt demlitioned part and fast eners not listed on the introduction



01	CHASSIS GROUP	1
02	MAIN FRAME GROUP	2
03	FOAM FIXED MOUNT	1
04	BEARING-PILLOW	4
05	MOVABLE ARM GROUP	2
09	BARREL BAR GROUP	2
10	CUSHION SUPPORT GROUP	1
D1	SHOTR FOAM	2
E1	CUSHION	1
F12	HEXAGON SOCKET HEAD CAP SCREWS M12*30	16
A5/B2	SELF-LOCKING NUT M12	20
E3	FLAT GASKET φ8	2
B3/A6	FLAT GASKET φ12	40
E2	HALF ROUND HEAD HEX SOCKET SCREWS M8*30	2
A4	HEX SCREWS M12*75	16
B1	HEX SCREWS M12*150	4
序号	名称	数量