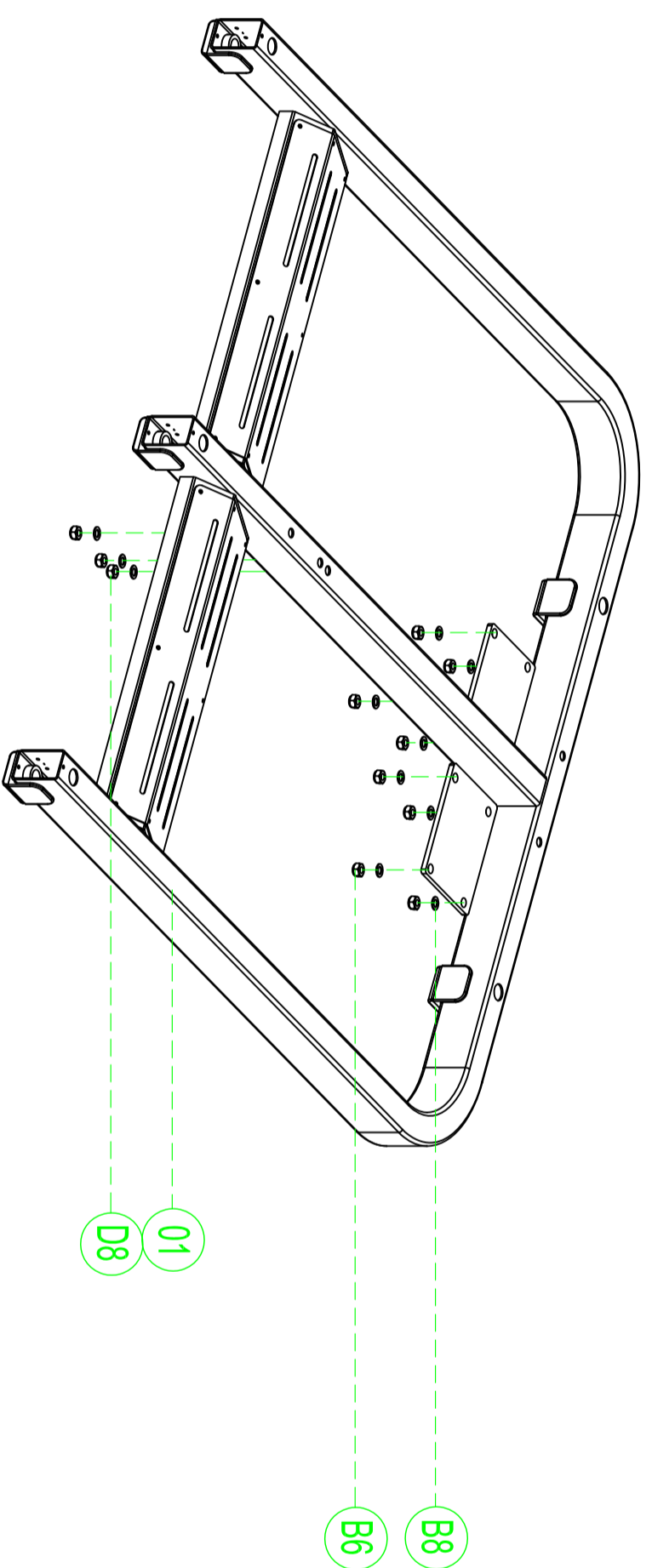
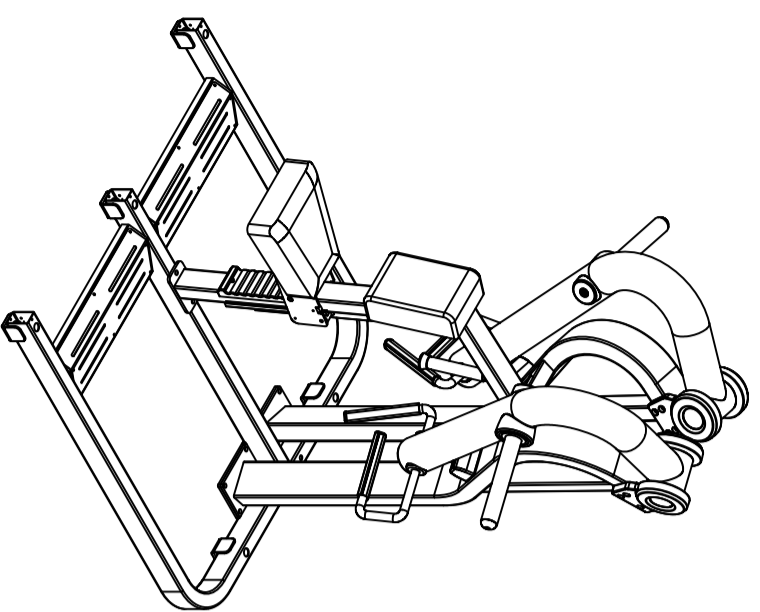
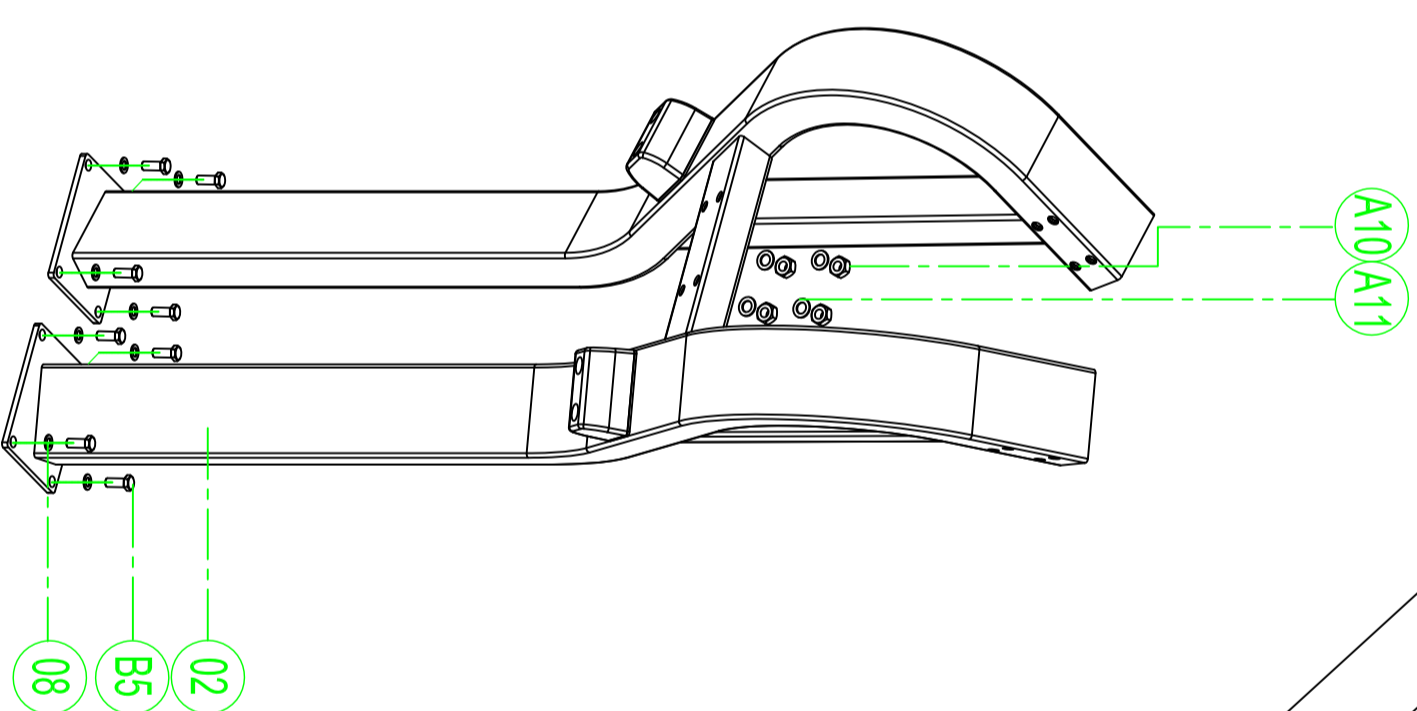
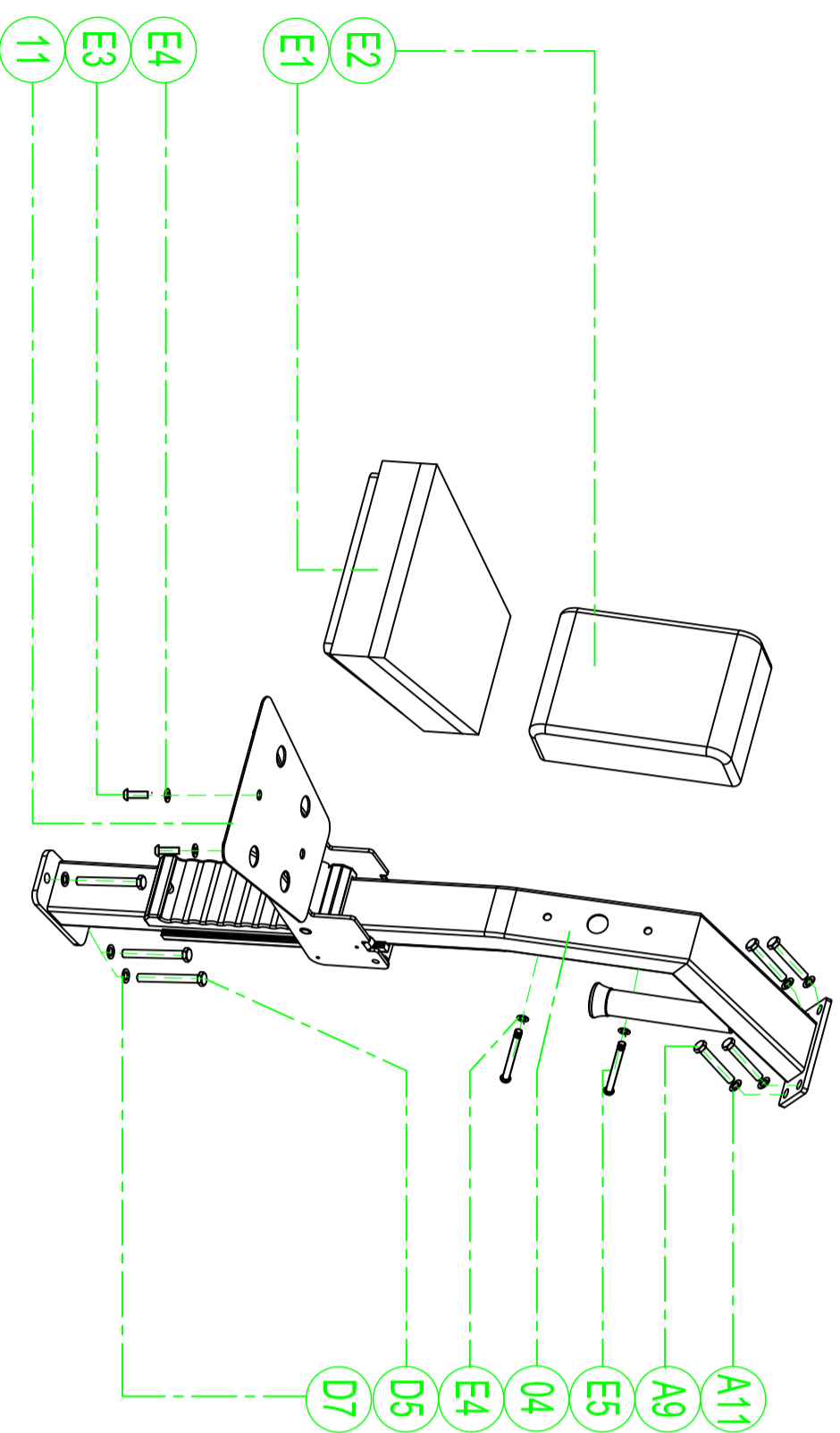
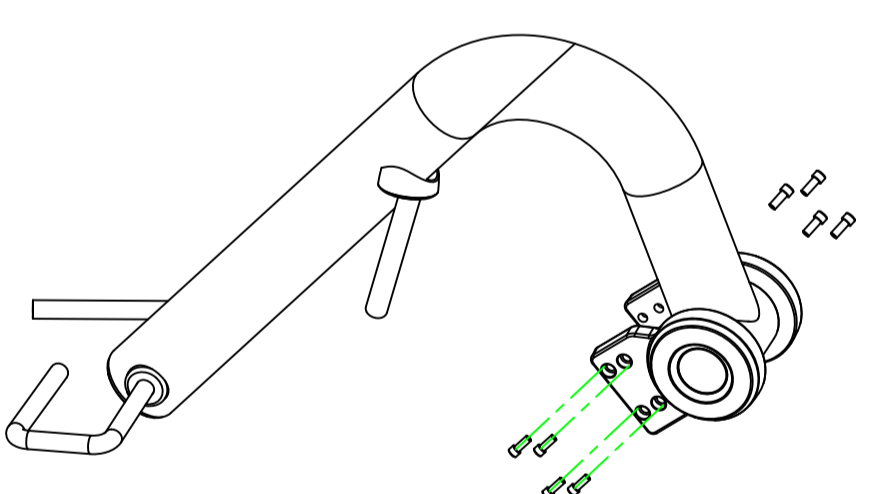
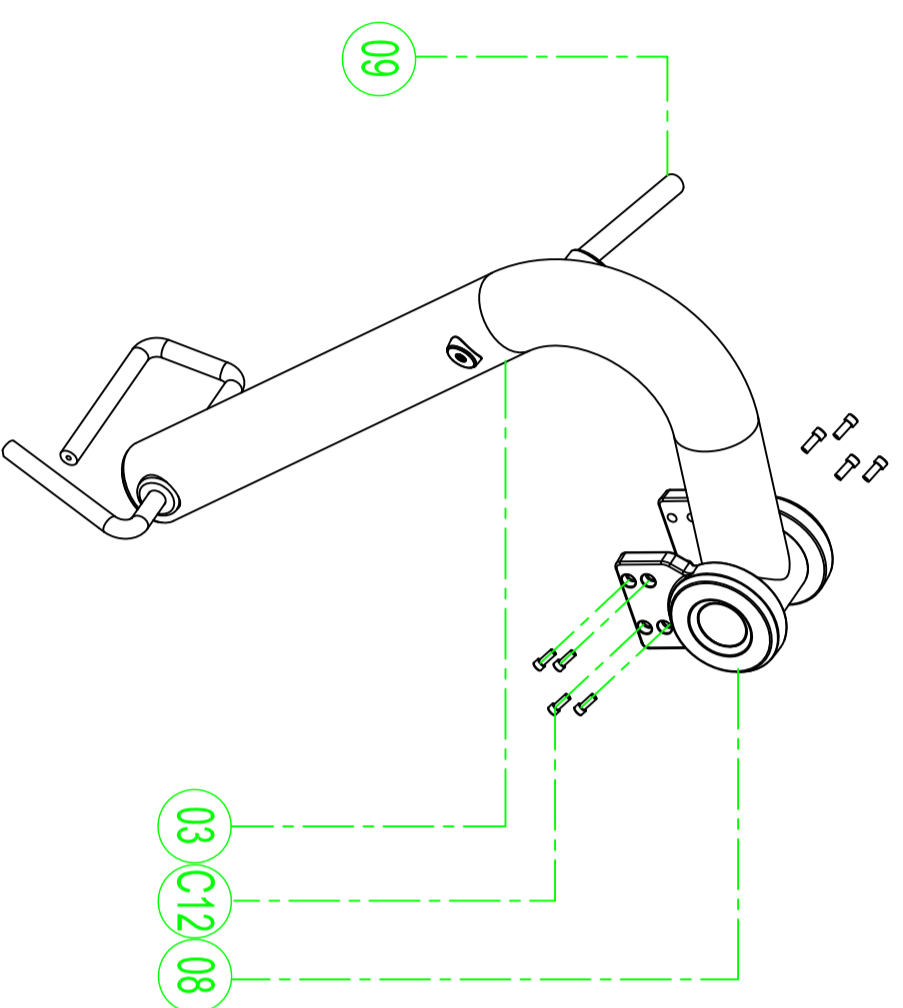


Y925LOW ROW

please note:parts didnt demilitioned part and fast eners not listed on the introduction



| | | |
|-----------|--|----|
| 01 | CHASSIS GROUP | 1 |
| 02 | BRACKET GROUP | 1 |
| 03 | MOVABLE ARM GROUP | 2 |
| 04 | BACK CUSHION SUPPORT GROUP | 1 |
| 08 | BEARING PILLLOW | 4 |
| 09 | BARREL BAR GROUP | 2 |
| 11 | CUSHION SUPPORT GROUP | 1 |
| E1 | CUSHION | 1 |
| E2 | BACK CUSHION | 1 |
| C12 | HALF ROUND HEAD HEX SOCKET SCREWS M12*30 | 16 |
| E4 | FLAT GASKET Φ8 | 4 |
| E3 | HEXAGON SOCKET HEAD CAP SCREWS M8*30 | 2 |
| E5 | HEXAGON SOCKET HEAD CAP SCREWS M8*75 | 2 |
| A9 | HEX SCREWS M12*75 | 4 |
| D5 | HEX SCREWS M12*110 | 3 |
| A10/B6/D6 | SELF-LOCKING SCREWS M12 | 15 |
| A11/B8/D7 | FLAT GASKET φ12 | 40 |
| B5 | HEX SCREWS M12*30 | 8 |
| 序号 | 名称 | 数量 |