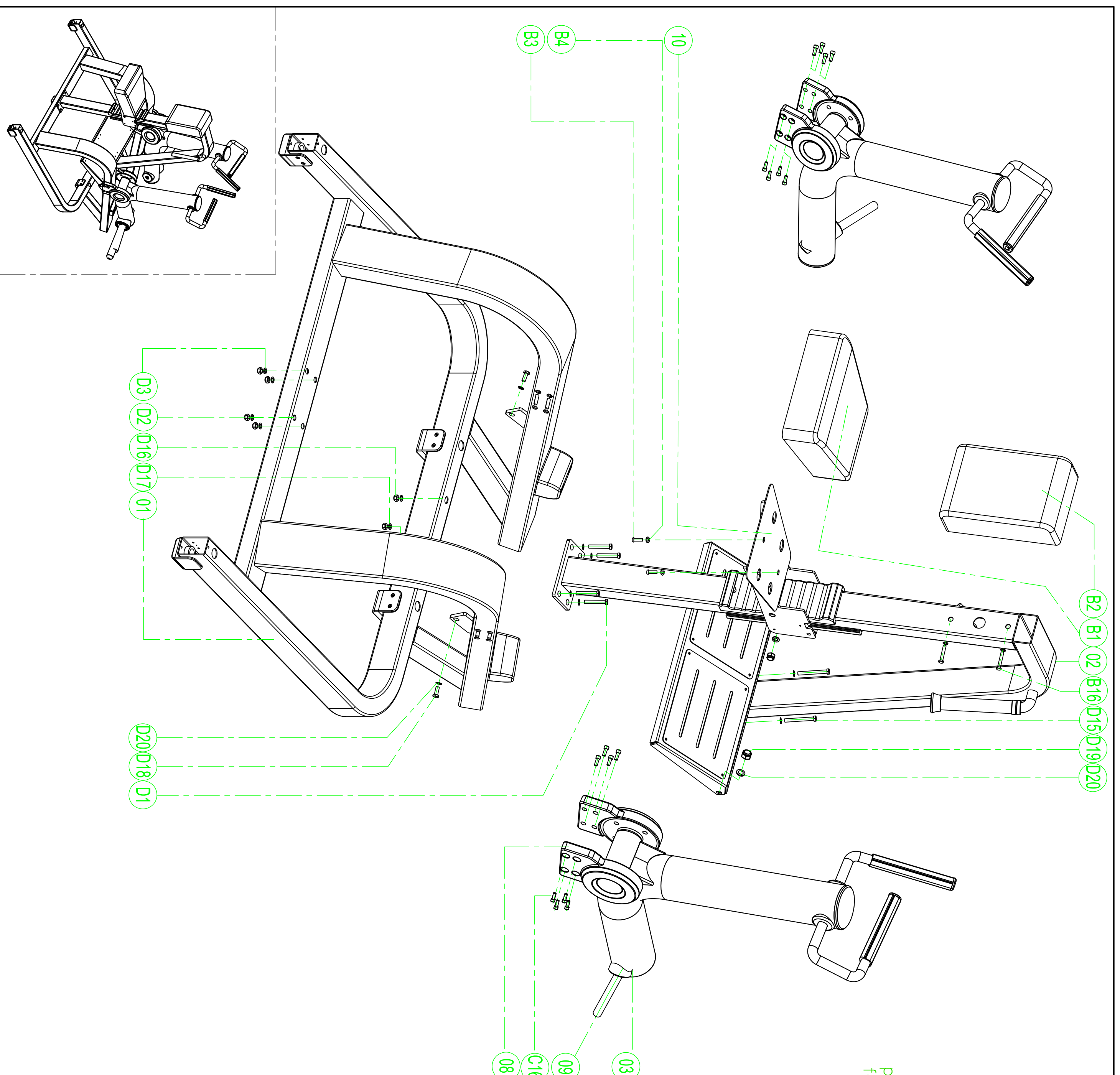


Y-930 ROW

please note: parts didnt demitioned part and fast eners not listed on the introduction



01	CHASSIS GROUP	1
02	BACK CUSHION SUPPORT GROUP	1
03	MOVABLE ARM GROUP	2
08	BEARING PILLOW	4
09	BARREL BAR GROUP	2
10	CUSHION SUPPORT GROUP	1
B1	CUSHION	1
B2	BACK CUSHION	1
C16	HEXAGON SOCKET HEAD CAP SCREWS M12*30	16
D2/D16/D19	外六角螺母（自锁） M12	8
B4	FLAT GASKET Φ8	4
D3/D17/D20	FLAT GASKET Φ12	32
B3	HALF ROUND HEAD HEX SOCKET SCREWS M8*30	2
B16	HALF ROUND HEAD HEX SOCKET SCREWS M8*75	2
D18	HEX SCREWS M12*30	18
D1	HEX SCREWS M12*75	4
D15	HEX SCREWS M12*110	2
序号	名称	数量