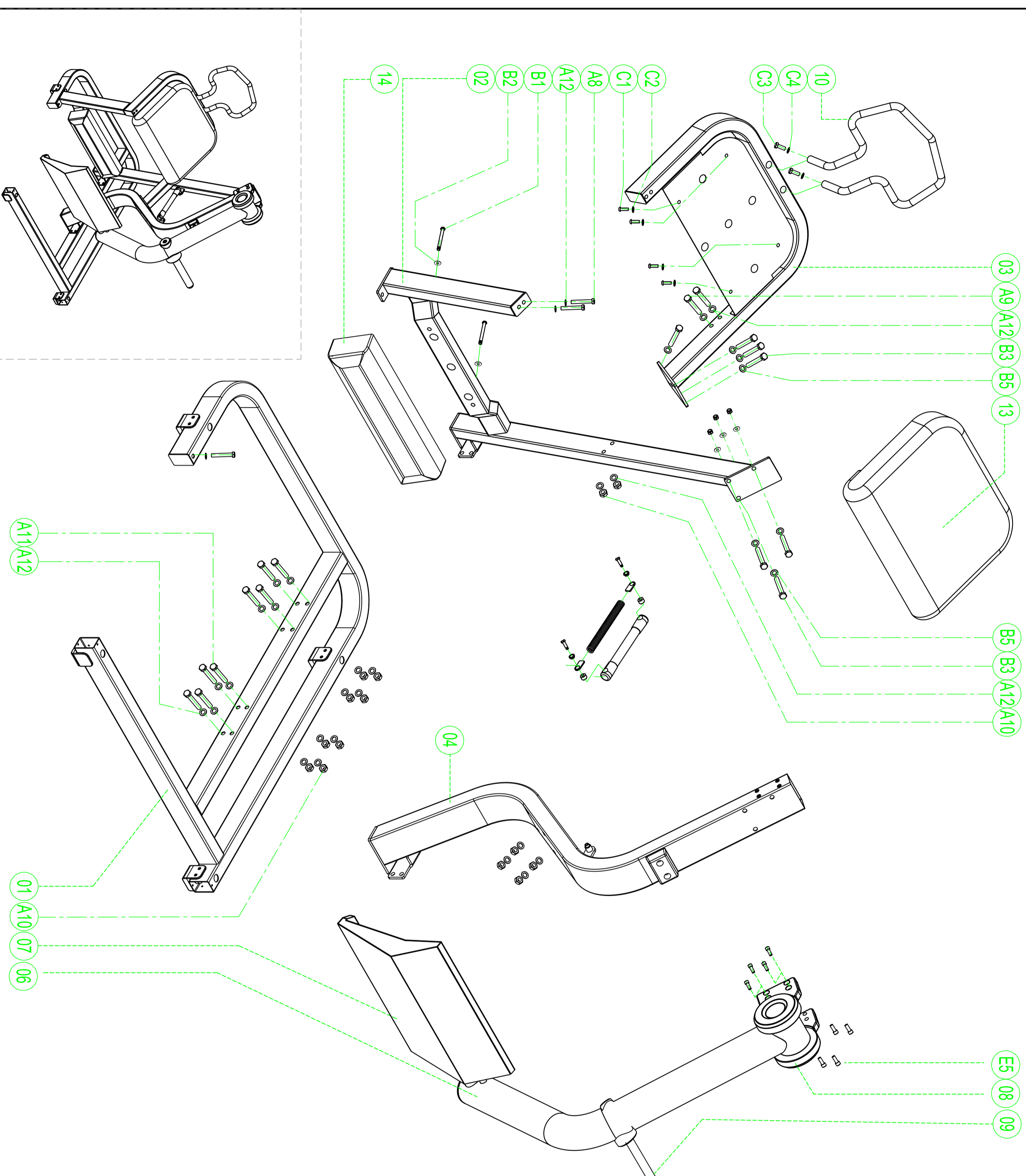


爆炸图

Y-940后抬腿训练器

注：部件上不拆卸的零件和紧固件在明细表中未列出。



01	CHASSIS GROUP	1
02	SHORT SUPPORT TUBE GROUP	1
03	ELBOW PAD HOLDER	1
04	MAIN FRAME GROUP	1
06	MOVABLE ARM GROUP	1
07	FOOT PEDAL GROUP	1
08	BEARING PILLOW	2
09	BARREL BAR GROUP	2
10	r-SHAPED HANDLEBAR	1
13	ELBOW PADS	1
14	KNEE PADS	1
A10/B4	SELF-LOCKING NUT M12	18
B2/C2	PLAT GASKET Φ8	6
A12/B5/C4	PLAT GASKET Φ12	40
C1	HALF ROUND HEAD HEX SOCKET SCREWS M8*30	4
B1	HALF ROUND HEAD HEX SOCKET SCREWS M8*75	2
C3	HEX SCREWS M12*30	2
B3	HEX SCREWS M12*85	7
A11	HEX SCREWS M12*75	8
A8	HEX SCREWSM12*110	3
A9	HEX SCREWS M12*120	2
E5	HEXAGON SOCKET HEAD CAP SCREWS M12*30	16
序号	名称	数量