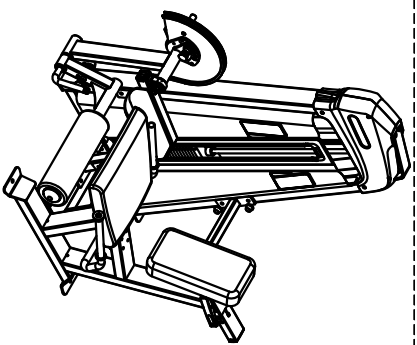
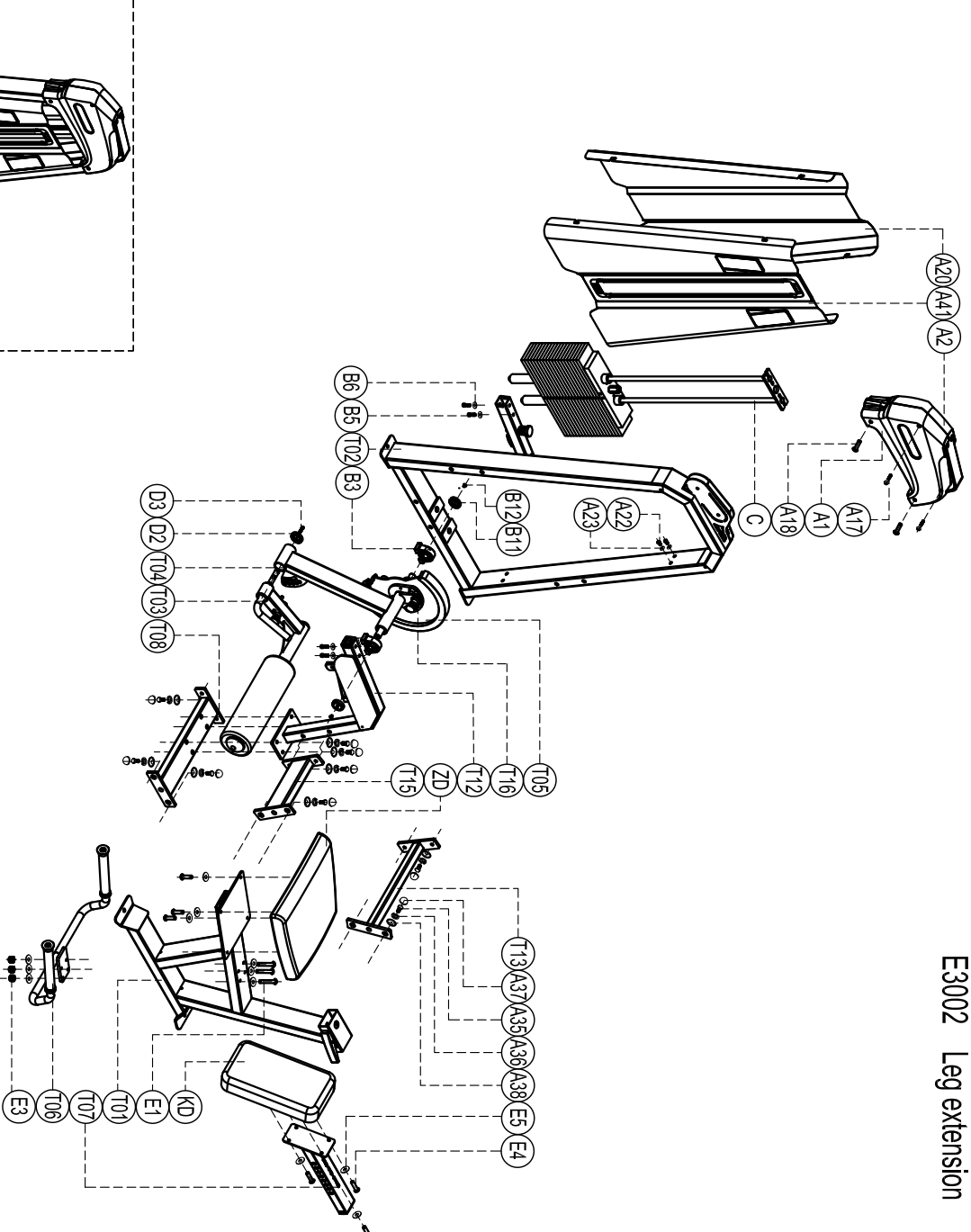


# Exploded E3002 Leg extension

please note :prats didn't demolition  
part and fast eners not listde on the  
introduction



Number	Name	quantity	Number	Name	quantity
KD	Backrest	1	T05	Cam sets	1
ZD	Seat	1	T04	Movable arm set	1
E5	Flat washer φ8	8	T03	Leg pressing SET	1
E4	Cup head inner hex screw M8*35	8	T02	Door frame	1
E3	Self lock nut M10	4	T01	Main frame	1

E1	Cup head inner hex screw M10*75	4
D3	Socket Cap inner hex M8*16	1
D2	Aluminum top cover B038	1
C	weight stack set	1
B12	Sink inner hex screw M6*10	2
B11	Cover S264	2
B6	Flat washer φ10	12
B5	Cup head inner hex screw M8*65	4
B3	Bearing basement PA205	2
A41	Front shroud HB18	1
A38	Gasket DQ03	16
A36	Spring washer φ12	16
A37	Screw cap S208	16
A35	Outside hex screw M12*35	16
A23	Flat washer Φ8.3*Φ20*11.5	8
A22	Cup head inner hex screw M8*16	8
A20	Back shroud HB14	1
A18	Cup head inner hex screw M6*15	4
A17	Cup head cross tapping screw S15*15	2
A2	Head cover S907	1
A1	Head cover S908	1
T16	Cam fixing set	1
T15	Horizontal connection set	1
T13	Back connection set	1
T12	Below connection	1
T08	Below connection	1
T07	Cushion adjustment	1
T06	Handle set	1
T05	Cam sets	1
T04	Movable arm set	1
T03	Leg pressing SET	1
T02	Door frame	1
T01	Main frame	1