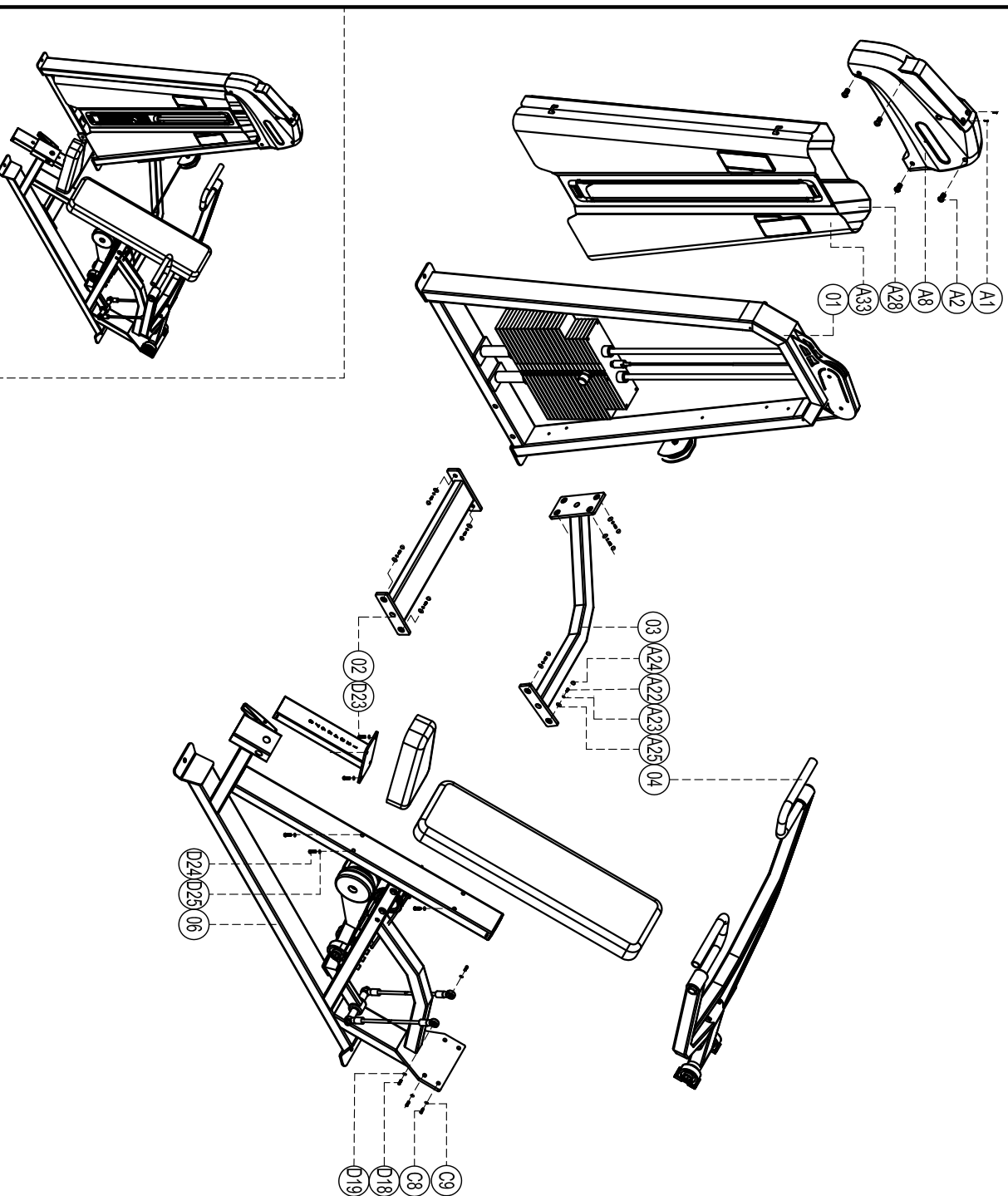


# Exploded

## E3006 SHOULDER PRESS

please note :parts didn't demilitione part and fasteners not listde on the introduction



Number	Name	Quantity
D25	Flat washer φ8	8
D24	Cup head inner hex screw M8x80	4
D23	Cup head inner hex screw M8x35	4
D19	Flat washer φ12	2
D18	Outer hex screw M12x30	2
C9	Flat washer φ10	4
C8	Socket head minner hex M10x65	4
A33	Front shroud HB14	1
A28	Front shroud HB18	1
A25	Gasket DQ003	10
A24	Screw cap S208	10
A23	Spring washer ø12	10
A22	Outer hex screw M12x35	10
A8	Head cover	1
A2	Socket head inner hex M6x15	4
A1	Cup head crossing screw S15x16	2
06	Back cushion frame	1
04	Raising shelf set	1
03	Top connection	1
02	Bottom connection	1
01	Door frame	1