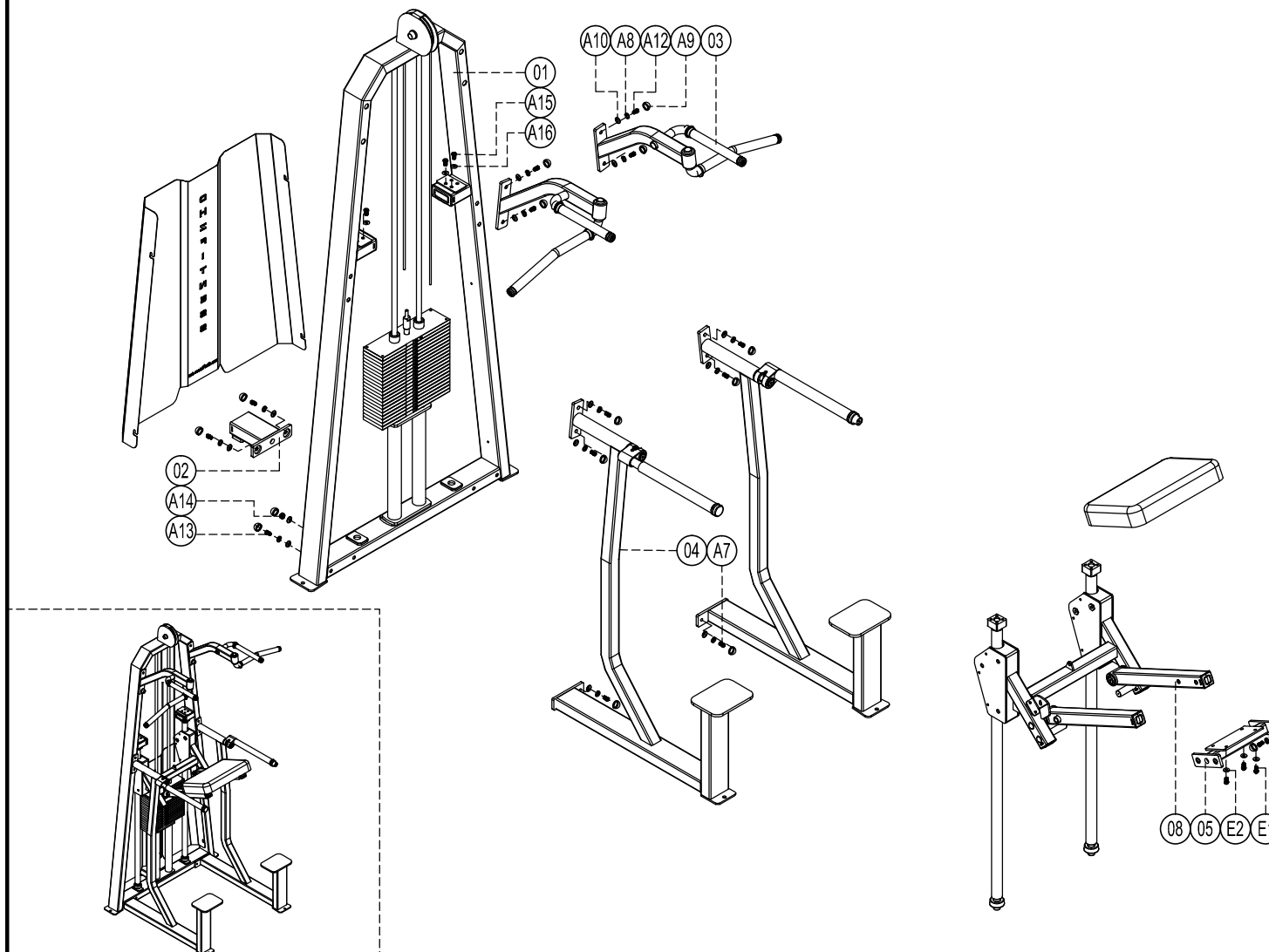


Exploded

E3009 DIP/CHIN ASSIST

please note :parts didn't demolitionde part and fast
eners not listde on the introduction



E2	Flat washer	Φ8	4
E1	Cup head inner hex screw	M8*35	4
A16	Flat washer	Φ10	8
A15	Cup head inner hex screw	M10*80	8
A14	Self lock nut	M12	2
A13	Outer hex screw	M12*130	10
A12	Outer hex screw	M12*25	4
A10	Gasket	DQ003	20
A9	Screw cap	S277	20
A8	Spring washer	Φ12	18
A7	Outer hex screw	M12*35	10
08	Sliding set		1
05	Upholstery fixing set		1
04	Right support set		2
03	Left arm set		2
02	Back support set		1
01	Door frame		1
Number	Name		Quantity