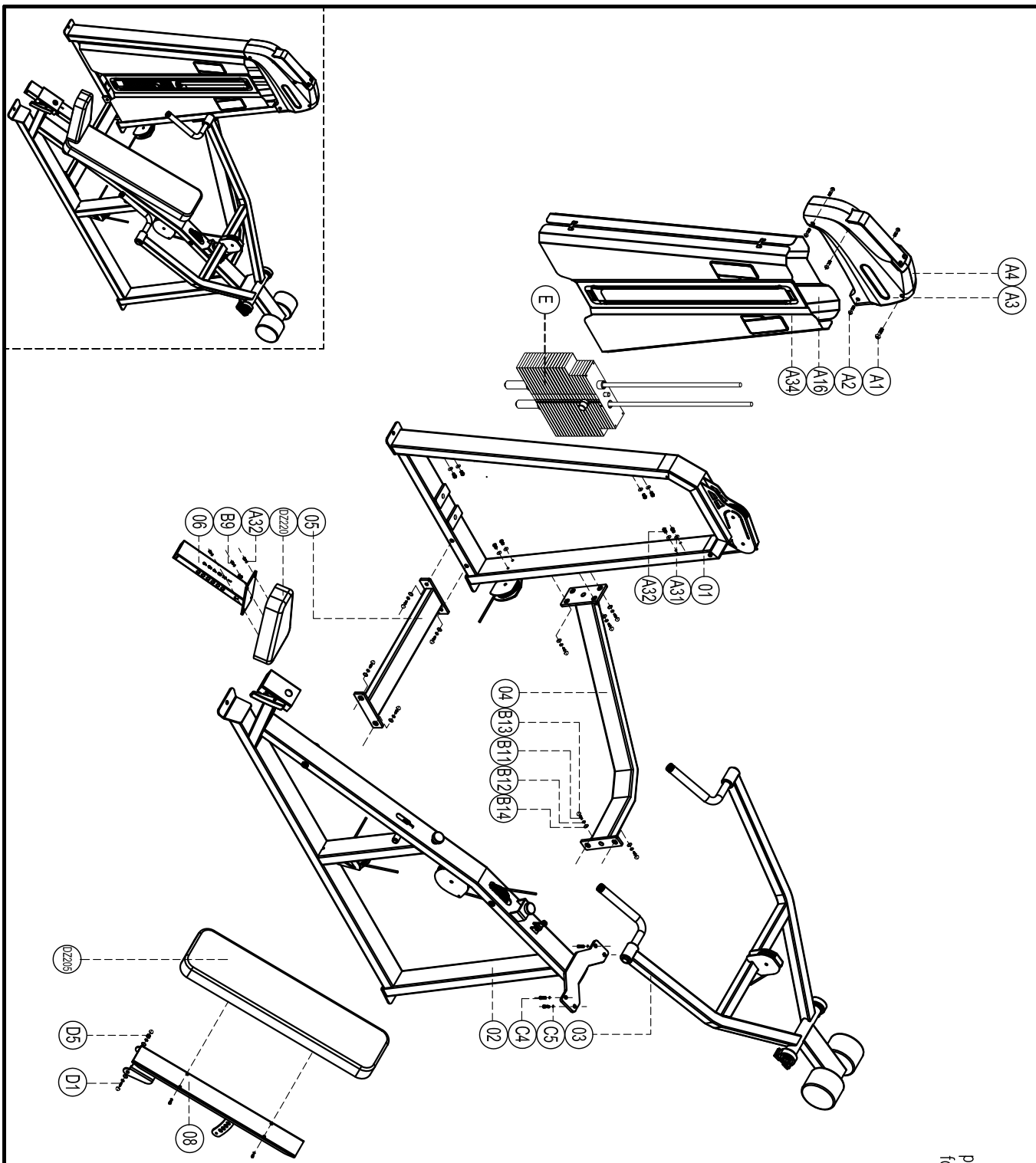


# Exploded

## E3013 INCLINE PRESS

please note :parts didn't demontionde part and fast eners not listde on the introduction



Number	Name	Quantity
E	Weight stack set	1
D5	M10 self lock nut	1
D1	Shoulder screw φ12*130	1
C5	Flat washer φ10	4
C4	Socket cap hex screw M10*25	4
B14	Gasket 10003	10
B13	Screw cap S208	12
B12	Spring washer φ12	12
B11	Outer hex screw M12*35	10
B9	Socket cap hex screw M8*35	8
A34	Front shroud HB18	1
A32	Flat washer φ8	16
A31	Socket cap hex screw M8*16	8
A16	Back shroud HB14	1
A4	Head cover S907	1
A3	Head cover S908	1
A2	Cup head inner hex screw M6*16	4
A1	Cup head cross tapping screw S13*16	2
DZ220	Cushion IJZ20	1
DZ205	Backrest IJZ05	1
08	Backrest	1
06	Cushion selection	1
05	Bottom connection	1
04	Top connection	1
03	Working arm	1
02	Main frame	1
01	Door frame	1