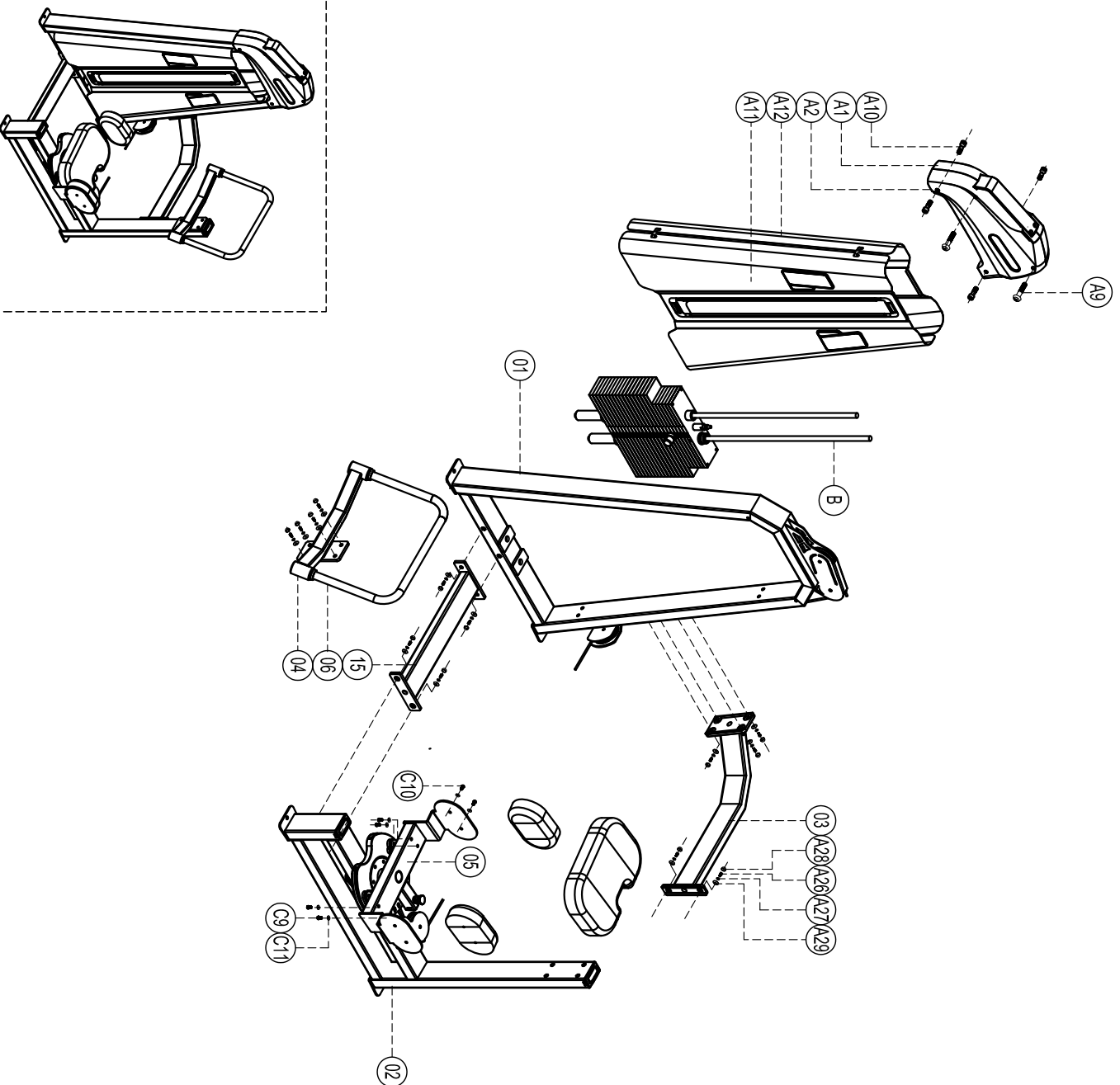


Exploded

E3018 Rotary torso

please note :parts didn't demollitionde part and fasteners not listde on the introduction



No.	Name	Qty
C11	Flat washer $\phi 8$	8
C10	Cup head inner hex screw M8*35	4
C9	Cup head inner hex screw M8*80	4
B	weight stack set	8
A10	Socket Cap inner hex M5*15	8
A29	Gasket DQ003 $\phi 29, 8 * \phi 12 * 14$	14
A28	Screw cap S277	14
A27	Spring washer $\phi 12$	14
A26	Outer hex screwM12*35	14
A12	Back shroud HB09	1
A11	Front shroud HB10	1
A10	Socket Cap inner hex M6*15	4
A9	Cup head cross tapping screwM3*16	2
A2	Head cover S263	1
A1	Head cover S262	1
15	Middle connection set	1
06	Handle	1
05	Custom selection	1
04	Handle	1
03	Bent beam set	1
02	Main frame	1
01	Door frame set	1