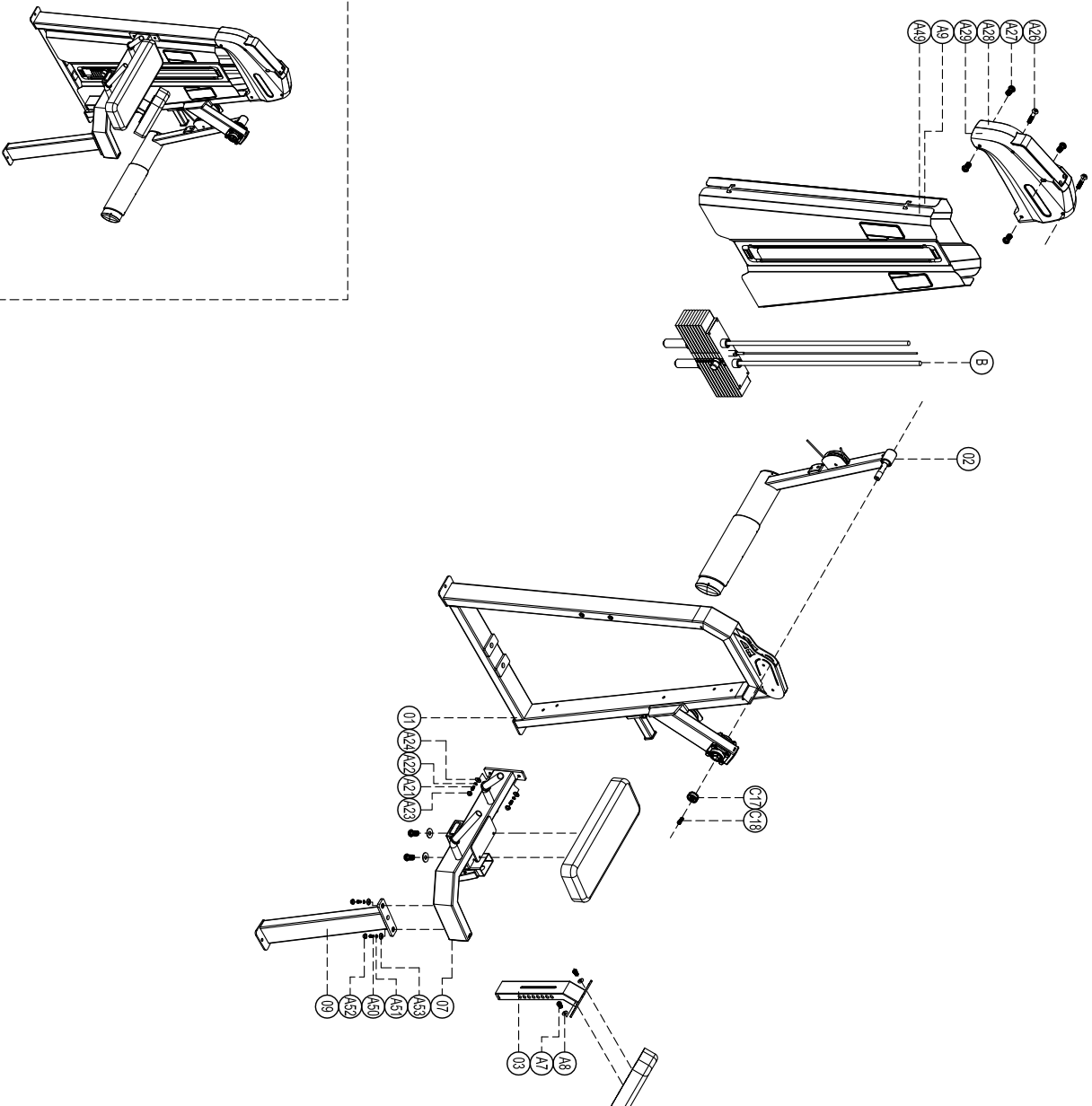


# Exploded

## E3024 Glute Isolator

please note :prats didn't demolition part and fast eners not listde on the introduction



C18	Socket Cap inner hex M10*16	1
C17	Aluminum top coverB310	1
B	Weight stack set	1
A53	Gasket DQ003 φ29, 8*φ12*14	2
A52	Screw cap S277	2
A51	Spring washer φ12	2
A50	Outer hex screw M12*35	2
A49	Back shroud	1
A29	Head coversS907	1
A28	Head coversS908	1
A27	Cup head cross tapping screw M6*15	4
A26	Cup head cross tapping screwsT5*16	2
A24	Gasket DQ003 φ29, 8*φ12*14	2
A23	Screw cap S277	2
A22	Spring washer φ12	2
A21	Outer hex screw M12*25	2
A9	Front shroud	1
A8	Flat washer φ8	6
A7	Cup head cross tapping screw M8*35	6
09	Support frame	1
07	Support set	1
03	Leg pressing set	1
02	Bottom connector	1
01	Door frame	1
serial number	Name	Quantity