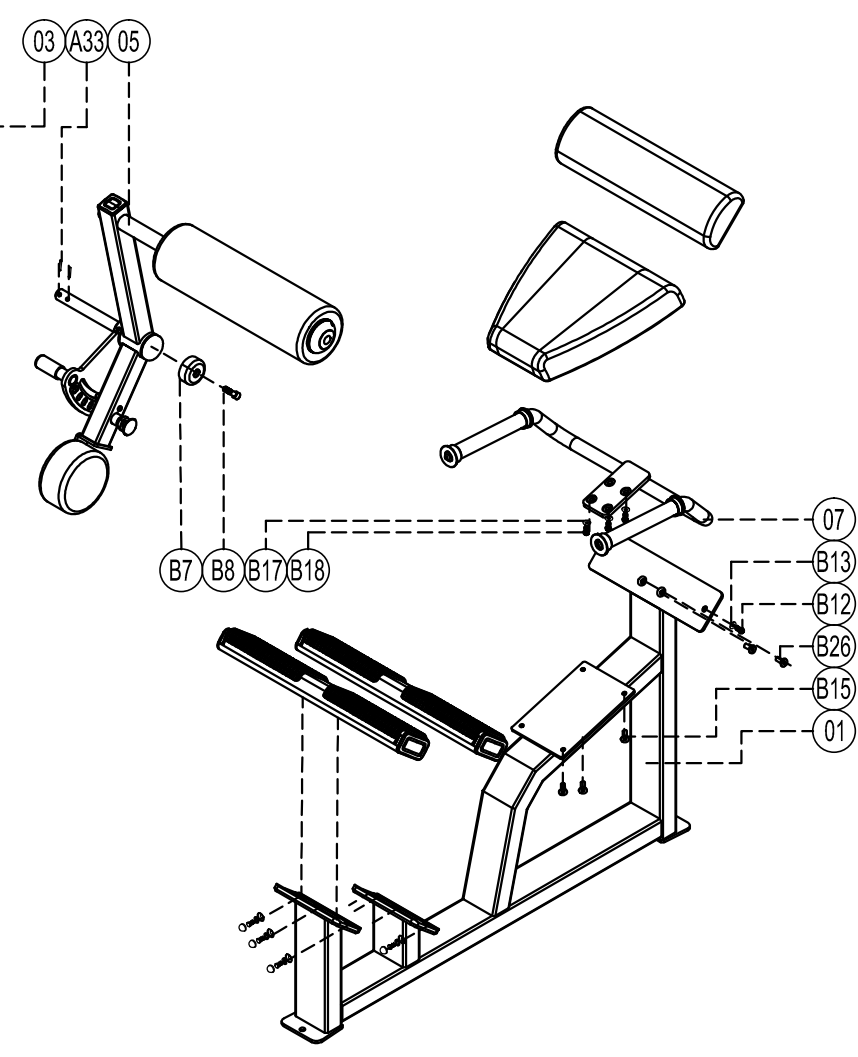
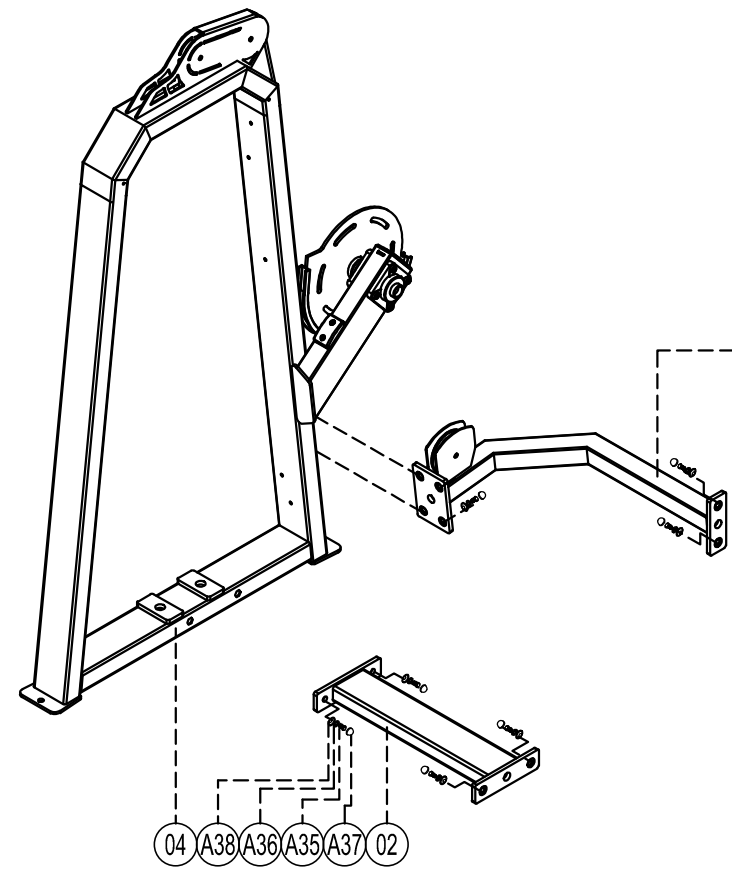
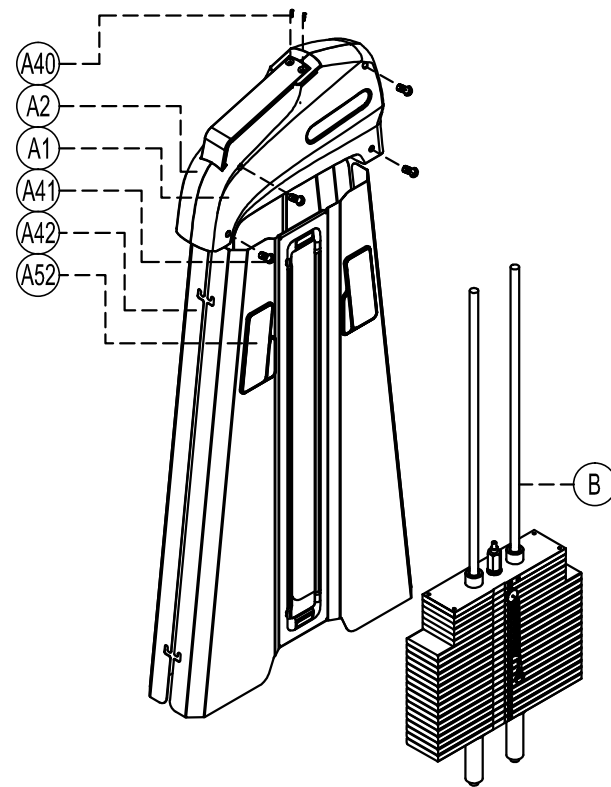


# Exploded

## E3031 BACK EXTENSION

please note :parts didn't demolitionde part and fasteners not listde on the introduction



A42	Front shroud	1
A52	Front shroud	1
B	Weight stack set	1
B26	Sink inner hex screw M10*25	2
B17	Cup head inner hex screw M10*30	4
B18	Flat washer Φ8	4
B15	Sink inner hex screw M8*35	4
B13	Flat washer Φ8	8
B12	Cup head inner hex screw M8*16	8
B8	Socket head inner hex M10*16	1
B7	Aluminum top cover B309	1
A41	Cup head inner hex screw M6*15	4
A40	Cup head crossing screw ST5*16	2
A38	Gasket DQ003	18
A37	Screw cap S208	18
A36	Spring washer Φ12	18
A35	Outer hex screw M12*35	18
A33	Dowel pin Φ8*50	2
A2	Head cover	1
A1	Head cover	1
07	Handle set	1
04	Door frame	1
03	Top connector	1
02	Bottom connector	1
01	Main frame	1
Number	Name	Quantity

