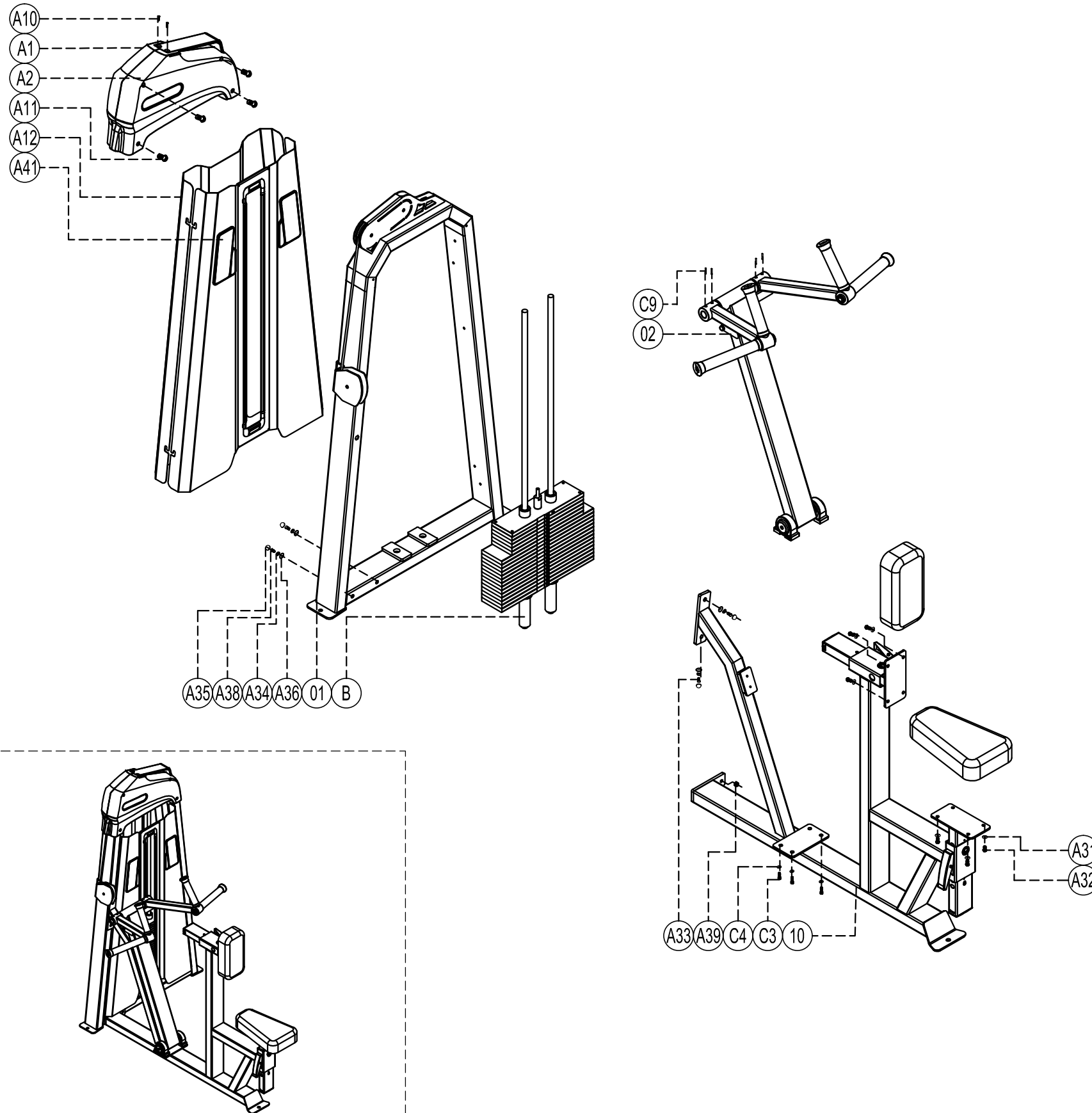


Exploded

E3034 VERTICAL ROW

please note :parts didn't demolitionde part and fasteners not listde on the introduction



| | | | |
|--------|--------------------------|---------|----------|
| C9 | Pin | Φ8*50 | 4 |
| C4 | Flat washer | Φ8 | 4 |
| C3 | Socket dead inner hex | M10*25 | 4 |
| A39 | Self lock nut | M12 | 1 |
| A38 | Outer hex screw | M12*120 | 2 |
| A36 | Gasket | DQ003 | 4 |
| A35 | Spring washer | Φ12 | 4 |
| A34 | Screw cap | S208 | 4 |
| A33 | Outer hex screw | M12*35 | 2 |
| A32 | Flat washer | Φ8 | 8 |
| A31 | Cup head inner hex screw | M8*35 | 8 |
| A11 | Socket head inner hex | M6*15 | 4 |
| A10 | Cup head crossing screw | ST5*16 | 2 |
| A12 | Front shroud | | 1 |
| A41 | Front shroud | | 1 |
| A2 | Head cover | | 1 |
| A1 | Head cover | | 1 |
| 10 | Support set | | 1 |
| 02 | Rotary arm | | 1 |
| 01 | Door frame | | 1 |
| Number | Name | | Quantity |