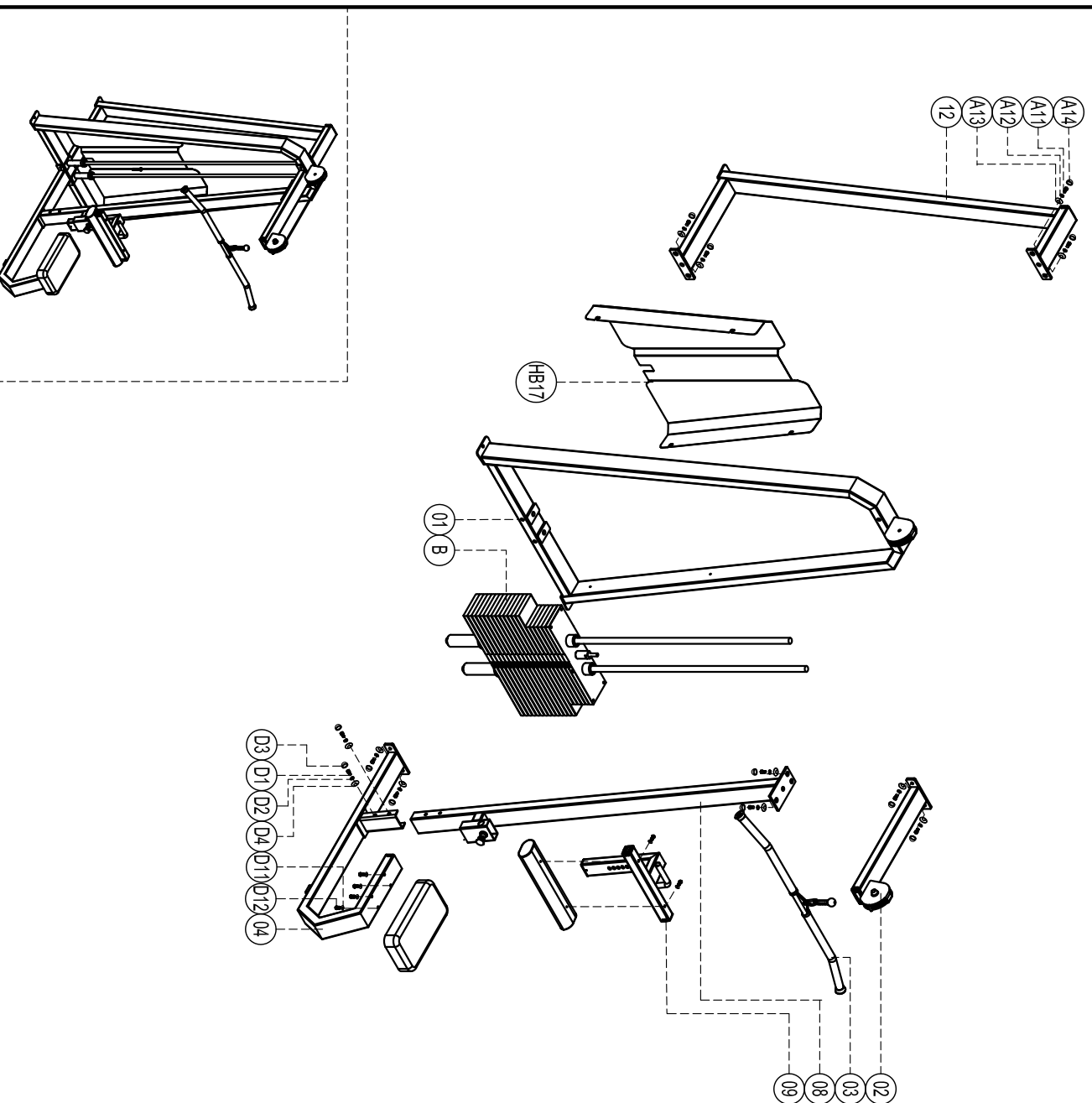


Exploded

E3035 PULL DOWN

please note :prats didn't demotionne part and fast
eners not listde on the introduction



D12	Flat washer	Φ8, 3	6
D11	Cup head timer hex screw	M8x80	6
D4	Gasket	DQ003	4
D3	Screw cap	S208	4
D2	Spring washer	φ 12	4
D1	Outer hex screw	M12x35	4
B	Weight stack set		1
A14	Gasket	DQ003	11
A13	Screw cap	S208	11
A12	Spring washer	Φ12	11
A11	Outer hex screw	M12x35	11
12	Back support set		1
09	Adjustment tube set		1
08	Supporting frame		1
04	Upholstery fixing set		1
03	Handle		1
02	Top connection		1
01	Door frame		1
Number	Name		Quantity