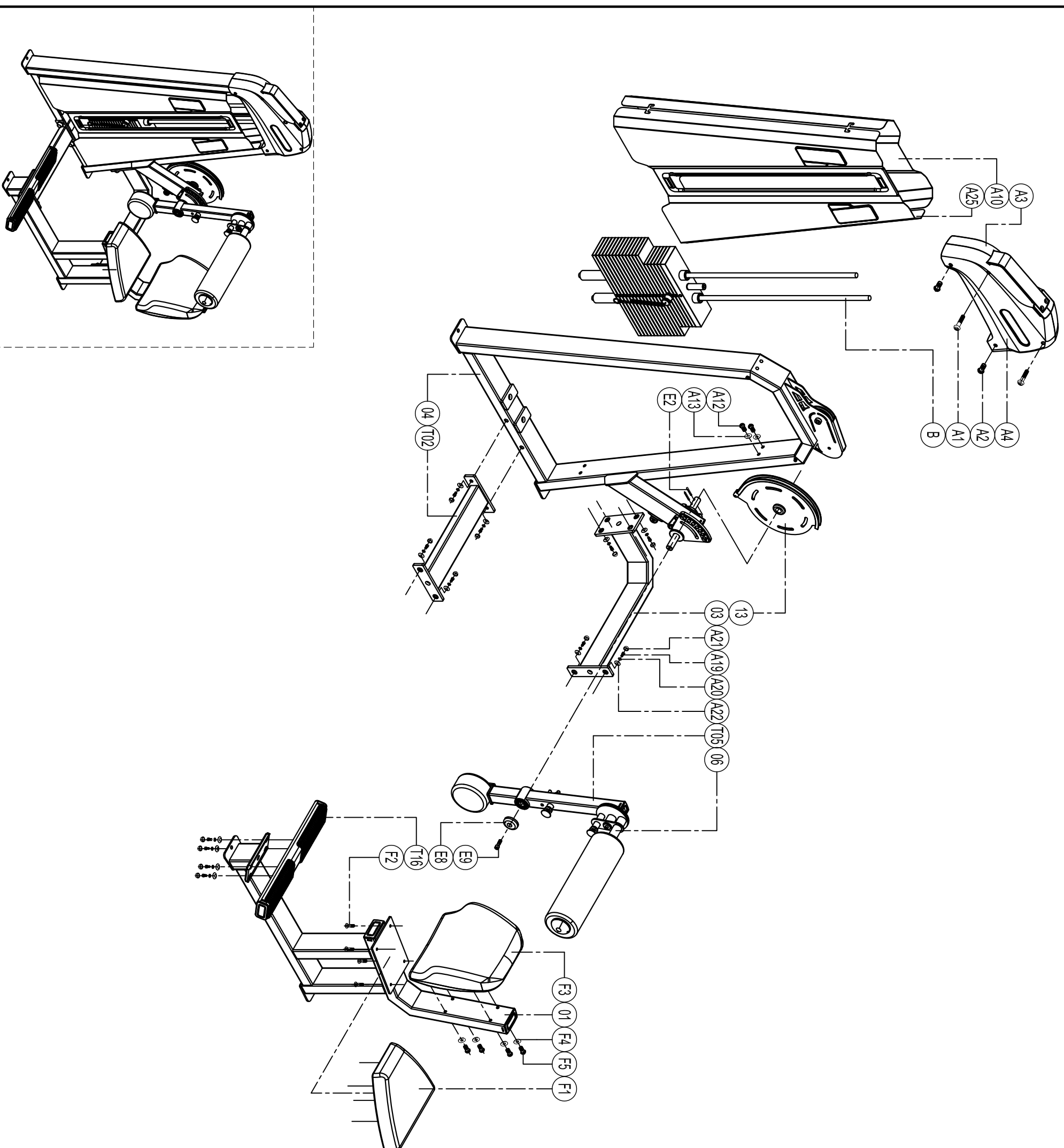


# Exploded

## E3073 Abdominal

please note :prats didn't demolitionde part and fast eners not listde on the introduction



F5	Cup head inner hex screw M8*80	4
F4	flat washer $\Phi 8.3 * \Phi 20 * T1.5$	4
F3	Backrest F027	1
F2	Sink inner hex screw M8*30	4
F1	Seat F091	1
E9	Socket Cap inner hex M10*15	1
E8	Aluminum top cover B309 $\Phi 60 * 15$	1
E2	Pin bolt $\Phi 8 * 50$	2
B	weight stack set	1
A25	Front shroud HB18	1
A22	Gasket D0003 $\Phi 29, 8 * \Phi 12 * T4$	14
A21	Screw cap S277 $\Phi 33 * 16$	14
A20	Spring washer $\Phi 12$	14
A19	Outer hex screw M12*35	14
A13	flat washer $\Phi 8.3 * \Phi 20 * T1.5$	8
A12	Cup head inner hex screw M8*16	8
A10	Beck shroud HB14	1
A4	Head cover S907	1
A3	Head cover S908	1
A2	Socket Cap inner hex M6*15	4
A1	Cup head cross tapping screws T5*16	2
T16	Frame for footrest	1
13	Cams set	1
06	Cushion roller set	1
T05	Working arms set	1
04	Door frame set	1
03	Bent frame	1
T02	Bottom connector	1
01	Side frame	1
serial number	name	quantity